

# Air Excellent distribution box DB212V125-200VE 12 connections

Article number: 188964

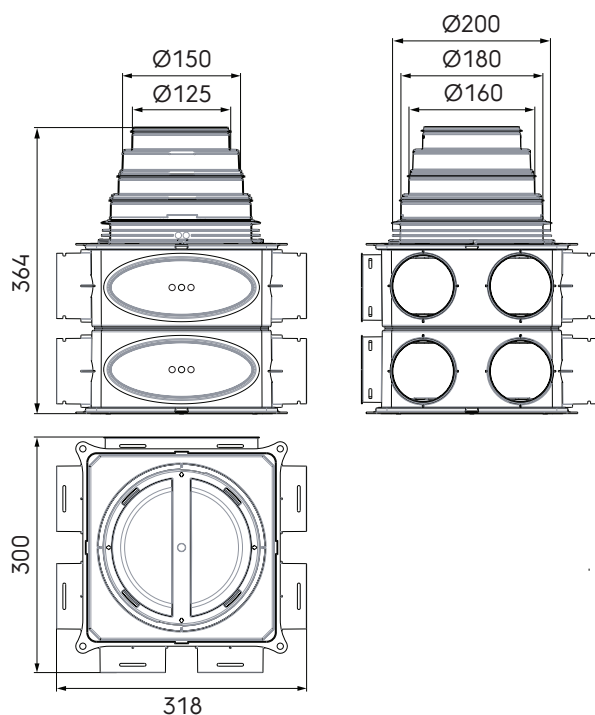
## Product introduction

The Air Excellent vertical DB212 is designed to radially distribute air from a ventilation unit, minimizing system pressure drop, fan energy use, and sound levels. It is compatible with Aerfoam insulated ducts and features 12 Air Excellent duct connections. With DBOX adaptors, it can connect to any duct diameter within the Air Excellent range. The compact box is ideal for small spaces, it can be installed on ceilings, walls, or floors.

- Includes stepped adaptor, 12 internal air restrictor rings, and 6 covers for unused connections
- Ideal for optimizing space in small areas
- Made of durable, rust-free, lightweight plastic (PP) for easy handling and installation
- Mechanical connections to minimize pressure loss, fan energy consumption, and sound levels



## Product dimensions



# Air Excellent distribution box DB212V125-200VE 12 connections



Article number: 188964

## Technical specifications

Specifications	
Technical	
Colour	Grey
Material	PP
Anti static	<input checked="" type="checkbox"/>
Antimicrobial	<input checked="" type="checkbox"/>
Performance	
Temperature resistance (min.)	-20 °C
Temperature resistance (max.)	60 °C
Reaction to fire: Euro class	E
Dimensions	
Length gross	318 mm
Width	300 mm
Height	364 mm
Net weight	2.066 kg

# Air Excellent distribution box DB212V125-200VE 12 connections

Article number: 188964

## Technical details

Pressure Loss Dbox	
Qv (Volume) [m³/h]	Δp (Pressure Loss) [Pa]
50	1,0
75	1,5
100	2,0
125	3,0
150	5,0
175	6,5
200	8,0
225	9,0
250	10,0
300	14,0
350	16,0

Figures are based on measurements by the TÜV SÜD.