

Air Excellent distribution box DB208V125-200 8 connections

Article number: 188961

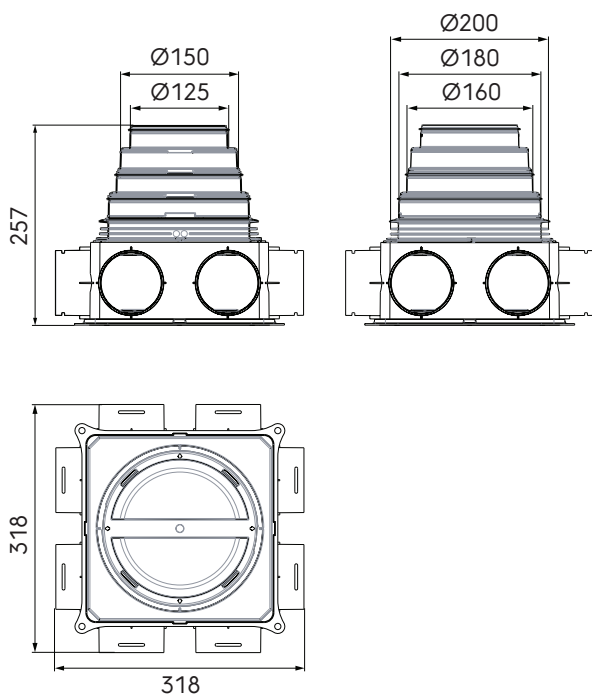
Product introduction

The Air Excellent DB208 is designed to radially distribute air from a ventilation unit, minimizing system pressure drop, fan energy use, and sound levels. It is compatible with Aerfoam insulated ducts and features 8 Air Excellent AE34C duct connections. With DBOX adaptors, it can connect to any duct diameter within the Air Excellent range. The compact box is ideal for small spaces, it can be installed on ceilings, walls, or floors.

- Includes stepped adaptor, 8 internal air restrictor rings, and 4 covers for unused connections
- Ideal for optimizing space in small areas
- Made of durable, rust-free, lightweight plastic (PP) for easy handling and installation
- Mechanical connections to minimize pressure loss, fan energy consumption, and sound levels



Product dimensions



Air Excellent distribution box DB208V125-200 8 connections

Article number: 188961

Technical specifications

Specifications	
Technical	
Colour	Grey
Material	PP
Anti static	<input checked="" type="checkbox"/>
Antimicrobial	<input checked="" type="checkbox"/>
Performance	
Temperature resistance (min.)	-20 °C
Temperature resistance (max.)	60 °C
Reaction to fire: Euro class	E
Dimensions	
Length gross	318 mm
Width	318 mm
Height	257 mm
Net weight	1.487 kg

Air Excellent distribution box DB208V125-200 8 connections

Article number: 188961

Technical details

Pressure Loss Dbox	
Qv (Volume) [m³/h]	Δp (Pressure Loss) [Pa]
50	1,0
75	1,5
100	2,0
125	3,0
150	5,0
175	6,5
200	8,0
225	9,0
250	10,0
300	-
350	-

Figures are based on measurements by the TÜV SÜD.